



Conveyor  
Application  
Systems

# AT7



## TIER4

**F**or over a decade, Conveyor Application Systems (CAS) has refined and built the only mobile off-road Slinger available in the market today. The Unmanned, Remote-Controlled (URGV) AT7 offers versatility and durability in a trailerable machine that gives contractors unlimited options in placing materials.

The AT7 is a one of a kind machine that is only limited by its owner's imagination.

### CAS® QUALITY

All CAS® Slingers are made in the U.S.A.

- The off-road CAS® AT7 is the **ONLY** slinger to proudly wear the designation made in the U.S.A. With manufacturing and service facilities in Indianapolis, IN and Eugene, OR where CAS® slingers have been manufactured since 2004, CAS® locations are strategically located to support our customers.

### SLINGER INNOVATION

A decade-plus worth of innovated refinements upon a proven design, is today's AT7!

- All-terrain, remote controlled, auto-leveling slinger.
- Remote drive and placing system with Frequency Hopping Spread Spectrum (FHSS) technology.
- High floatation configuration for beach or turf restoration.
- Dual-speed tracking and maneuverability.

### AT7 DURABILITY

- Hopper body is HMW lined.
- HD wear and abrasive resistant belts that are specialty coated.
- Hydraulic pressure and return filtration system.
- HD feed conveyor chain with over 25 tons of pulling strength.

### CAS® PERFORMANCE

- 14" Placing Conveyor Belt with ½" cleats, that provides 33% more traction rubber.
  - Industry standard belts have only 3/8" cleats.
- Off-Road 4WD, independent steering capabilities
- Side and rear loading capabilities.
- CAS® proprietary slinging mechanism can "sling" material at distances that are 20-30% greater than the competition.
- Amazing versatility!



*"The off-road capability allows me to pick up jobs that I would have turned down in the past."*

*"The AT7 is a big package in a small frame, giving me great versatility."*

**The Proven CAS® AT7=Innovation, Durability, and Performance!**



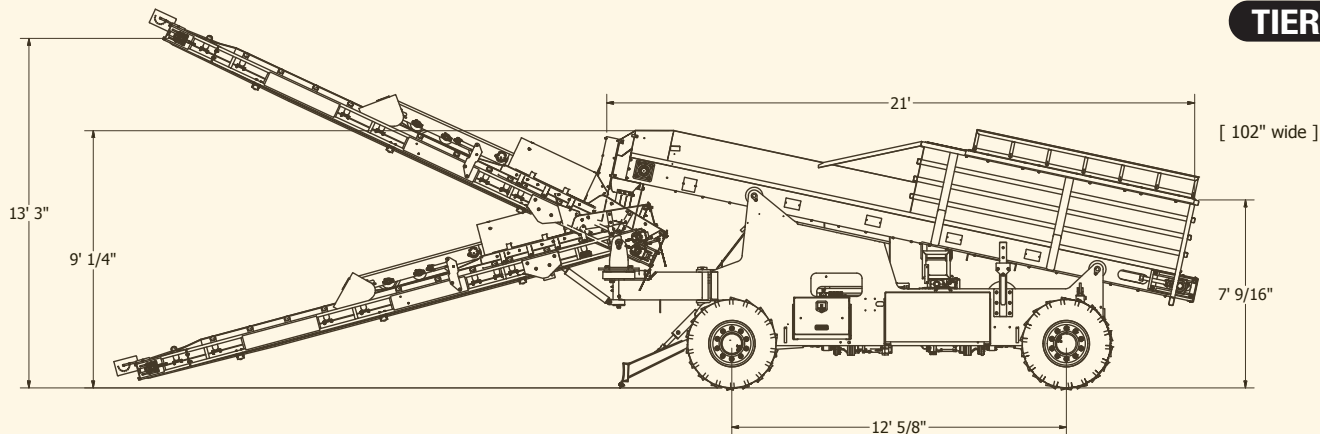
Conveyor Application Systems



888-279-4227



www.slingers.com



**CHASSIS AND FRAME:**

- CAS® Quality heavy-duty steel construction.
  - *Built in the U.S.A.*
- Hydraulic 12 degree left & right leveling system.
- Powdered-coated.

**ENGINE & DRIVE TRAIN:**

- Engine-
  - Domestic: CAT® Tier IV C7.1 AVERT™, 202 HP Engine.
  - International: CAT® Tier 3 C6.6 liter, 202 HP Engine.
- 20,000 lbs. Independent steering front axles.
- 20,000 lbs. Independent steering rear axles.
- 2-Speed direct hydraulic drive.

**STEEL HOPPER:**

- 7-Cubic yards capacity w/fold-out “Extended Yardage” wings.
- Heavy-duty 10-gauge steel sheeting.
- Fully powder coated finish-interior & exterior for durability.
- HMW lined.
  - Low coefficient of friction, self-lubricated polymer, eliminates “sticking.”
  - Abrasion, corrosion and wear resistant.

**FEED CONVEYOR:**

- CAS® exclusive FULLY EXPOSED HD 24” wide 350 2-ply abrasive & impact resistant belt.
- Hydraulically powered.
- Planetary gear main driver.
- 2.25” Pitch pintle chain.
  - 52,000 lbs. pulling strength.
- Chain lubrication system.
  - Reduces maintenance and extends life.
- Rear leveling gate.

**WEIGHT & DIMENSIONS (all weight is approximate):**

- 18,000 lbs.

**FUEL CAPACITY:**

- 76.5 U.S. gallons.
- Fuel consumptions: 3-6 gallons/hr. under normal use.

**ELECTRICAL SYSTEM (12 or 24 VDC):**

- OMNEX radio & receiver control package.
  - Remote control/wireless placing control function.
    - 900 ft. @ 2.4GHz.
      - Frequency hopping @ 50 non-overlapping channels in 100kHz (100,000 times per second).
- 12 or 24 VDC.
- Engine is J1939.

**PLACING CONVEYOR:**

- CAS® exclusive HD 14” wide long shot, abrasive & impact resistant surfaced belt w/ ½” cleats.
  - Cleat specs: ½” width x ½” high x 8 ¼” OAW on 6” centers.
  - The CAS® belt is the most durable and heaviest duty belt in the industry with ½” cleats providing 33% more traction rubber than the competition, equating to greater placing volume.
- Hydraulic drive Super-Shield™.
- Tube steel design.
- High performance rear mounted direct drive.
- Patented worm gate pivot.
- PC Specifications:
  - FPM: 4,400-4,600.
  - MPH: 47-54.
  - 2300 to 2400 Maximum RPM.
  - Volume: 2-3 yds. per minute.
  - “Slinging” distance: 140-150’
    - Dependent upon material size and type.



**HYDRAULIC SYSTEM:**

- Duel 5000 psi rated load sensing hydraulic piston pumps combined with a hydrostatic pump.
- Sauer Danfoss hydraulic motors.
- Pressure & return filtration systems.
  - Pressure filter rating = 10 microns.
  - Return filter rating = 3 microns.
- Hawe proportional valves.
- High pressure hoses & fittings - 2,000-6,000 psi.
  - 4:1 design factor and industry rated specifications meeting established industry standards for “burst” pressure.

**ADDITIONAL STANDARD EQUIPMENT:**

- Work & strobe lights.
- Pressure washer system with 30-gallon tank & reel.

**OPTIONAL EQUIPMENT:**

- Chassis & Frame:
  - 15”X19.5” Flotation tires.
- Placing Conveyor:
  - Dual Super-Shield™ performance slinger package.
  - High volume placing package with 18” belt.
  - Sock performance package.
- Electrical System:
  - Extra remote radio transmitter.
- Vibrator.
- Hopper grizzly.
- Dust suppression system.
- Electrical system.
- Dozer blade.

