



Conveyor
Application
Systems

AT7



TIER4

For over a decade, Conveyor Application Systems (CAS) has refined and built the only mobile off-road Slinger available in the market today. The Unmanned, Remote-Controlled (URGV) AT7 offers versatility and durability in a trailerable machine that gives contractors unlimited options in placing materials.

The AT7 is a one of a kind machine that is only limited by its owner's imagination.

CAS® QUALITY

All CAS® Slingers are made in the U.S.A.

- The off-road CAS® AT7 is the **ONLY** slinger to proudly wear the designation made in the U.S.A. With manufacturing and service facilities in Indianapolis, IN and Eugene, OR where CAS® slingers have been manufactured since 2004, CAS® locations are strategically located to support our customers.

SLINGER INNOVATION

A decade-plus worth of innovated refinements upon a proven design, is today's AT7!

- All-terrain, remote controlled, auto-leveling slinger.
- Remote drive and placing system with Frequency Hopping Spread Spectrum (FHSS) technology.
- High floatation configuration for beach or turf restoration.
- Duel-speed tracking and maneuverability.

AT7 DURABILITY

- Hopper body is HMW lined.
- HD wear and abrasive resistant belts that are specialty coated.
- Hydraulic pressure and return filtration system.
- HD feed conveyor chain with over 25 tons of pulling strength.

CAS® PERFORMANCE

- 14" Placing Conveyor Belt with 1/2" cleats, that provides 33% more traction rubber.
 - Industry standard belts have only 3/8" cleats.
- Off-Road 4WD, independent steering capabilities
- Side and rear loading capabilities.
- CAS® proprietary slinging mechanism can "sling" material at distances that are 20-30% greater than the competition.
- Amazing versatility!



“ The off-road capability allows me to pick up jobs that I would have turned down in the past.

“ The AT7 is a big package in a small frame, giving me great versatility.

The Proven CAS® AT7=Innovation, Durability, and Performance!



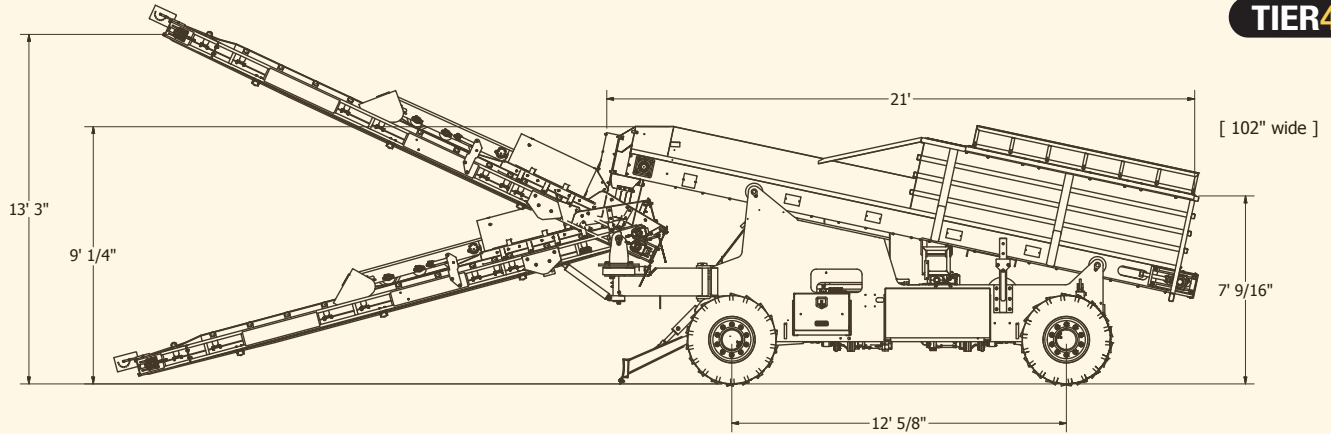
Conveyor Application Systems



888-279-4227



www.slingers.com



CHASSIS AND FRAME:

- CAS® Quality heavy-duty steel construction.
 - *Built in the U.S.A.*
- Hydraulic 12 degree left & right leveling system.
- Powdered-coated.

ENGINE & DRIVE TRAIN:

- Engine-
 - Domestic: CAT® Tier IV C7.1 AVERT™, 202 HP Engine.
 - International: CAT® Tier 3 C6.6 liter, 202 HP Engine.
- 20,000 lbs. Independent steering front axles.
- 20,000 lbs. Independent steering rear axles.
- 2-Speed direct hydraulic drive.

STEEL HOPPER:

- 7-Cubic yards capacity w/fold-out “Extended Yardage” wings.
- Heavy-duty 10-gauge steel sheeting.
- Fully powder coated finish-interior & exterior for durability.
- HMW lined.
 - Low coefficient of friction, self-lubricated polymer, eliminates “sticking.”
 - Abrasion, corrosion and wear resistant.

FEED CONVEYOR:

- CAS® exclusive FULLY EXPOSED HD 24” wide 350 2-ply abrasive & impact resistant belt.
- Hydraulically powered.
- Planetary gear main driver.
- 2.25” Pitch pintle chain.
 - 52,000 lbs. pulling strength.
- Chain lubrication system.
 - Reduces maintenance and extends life.
- Rear leveling gate.

WEIGHT & DIMENSIONS (all weight is approximate):

- 21,000 lbs.

FUEL CAPACITY:

- 76.5 U.S. gallons.
- Fuel consumptions: 3-6 gallons/hr. under normal use.

ELECTRICAL SYSTEM (12 or 24 VDC):

- OMNEX radio & receiver control package.
 - Remote control/wireless placing control function.
 - 900 ft. @ 2.4GHz.
 - Frequency hopping @ 50 non-overlapping channels in 100kHz (100,000 times per second).
- 12 or 24 VDC.
- Engine is J1939.

PLACING CONVEYOR:

- CAS® exclusive HD 14” wide long shot, abrasive & impact resistant surfaced belt w/ ½” cleats.
 - Cleat specs: ½” width x ½” high x 8 ¼” OAW on 6” centers.
 - The CAS® belt is the most durable and heaviest duty belt in the industry with ½” cleats providing 33% more traction rubber than the competition, equating to greater placing volume.
- Hydraulic drive Super-Shield™.
- Tube steel design.
- High performance rear mounted direct drive.
- Patented worm gate pivot.
- PC Specifications:
 - FPM: 4,400-4,600.
 - MPH: 47-54.
 - 2300 to 2400 Maximum RPM.
 - Volume: 2-3 yds. per minute.
 - “Slinging” distance: 140-150’
 - Dependent upon material size and type.



HYDRAULIC SYSTEM:

- Duel 5000 psi rated load sensing hydraulic piston pumps combined with a hydrostatic pump.
- Sauer Danfoss hydraulic motors.
- Pressure & return filtration systems.
 - Pressure filter rating = 10 microns.
 - Return filter rating = 3 microns.
- Hawe proportional valves.
- High pressure hoses & fittings - 2,000-6,000 psi.
 - 4:1 design factor and industry rated specifications meeting established industry standards for “burst” pressure.

ADDITIONAL STANDARD EQUIPMENT:

- Work & strobe lights.
- Pressure washer system with 30-gallon tank & reel.

OPTIONAL EQUIPMENT:

- Chassis & Frame:
 - 15”X19.5” Flotation tires.
- Placing Conveyor:
 - Dual Super-Shield™ performance slinger package.
 - High volume placing package with 18” belt.
 - Sock performance package.
- Electrical System:
 - Extra remote radio transmitter.
- Vibrator.
- Hopper grizzly.
- Dust suppression system.
- Electrical system.
- Dozer blade.

