



Conveyor
Application
Systems

FAT BOY



KNIFE REAR-GATE

Two years of research, development AND customer input, combined with innovative features, have led us to the introduction of *Conveyor Application Systems' (CAS®) new FAT BOY Slinger Truck!*

CAS® broke the Slinger Truck mold with the new *patent pending Fat Boy Slinger Truck design.*

CAS® QUALITY

All CAS® Slingers are made in the U.S.A.

- The on-road CAS® Fat Boy is the **ONLY** slinger Truck to proudly wear the designation, **Made in the USA.** With manufacturing and service facilities in Indianapolis, IN and Eugene, OR, which is where CAS® Slingers have been manufactured since 2004, CAS® locations are strategically located to support our customers.

SLINGER INNOVATION

- More capacity than **ANY SLINGER TRUCK** in the industry.
- Lower center of gravity for a safer and smoother ride.
- **Vertical Walls and Horizontal Floor** minimizes bridging.

FAT BOY DURABILITY

- Exclusive **Trout River®** Slinger box with a **Hardox® 400** steel inner layer for durability.
- **CAS® HD Select**, abrasive & wear resistant, placer and feeder belts.
- HD feed conveyor chain with over 42 -tons of pulling strength.

CAS® PERFORMANCE

- Widest placing conveyor belt provides up to 30% more Slinging volume.
- Optional 1' of additional side rail height for increased capacity.
- Two-way rear gate for **FULL DUMP** capabilities.



“ *The Fat Boy is not only the coolest-looking Slinger Truck on the market, it has raised the bar so high that anything else will be a distant second.*

“ *The coolest-looking most efficient Slinger Truck on the market today!*

CAS® Slingers do the work, so you don't have to!



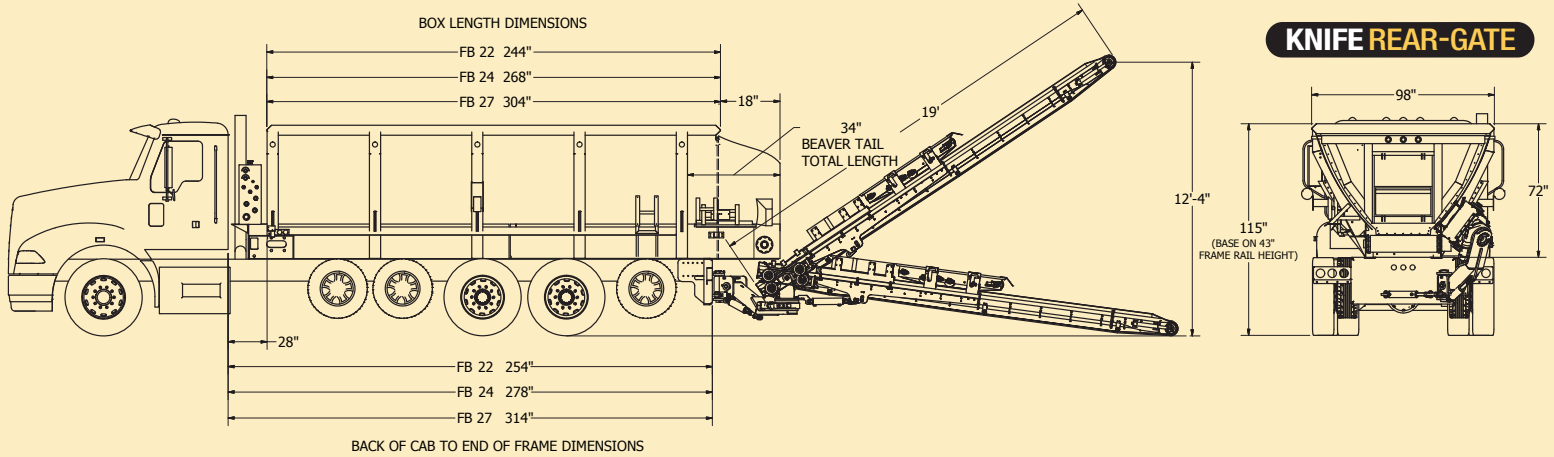
Conveyor Application Systems



888-279-4227



www.slingers.com



CHASSIS AND FRAME:

- Chassis is customer specified
- Fat Boy models-
 - FB22: 22 Cubic yards.
 - FB24: 24 Cubic yards.
 - FB27: 27 Cubic yards.
 - Optional 1' of side rail height available. Adds 6-8 cubic yds.

HOPPER BODY:

- **ONE OF A KIND:** Triple walled Trout River™ steel box.
 - Inner layer of HARDOX™ steel for maximum durability.
 - Insulated middle layer for colder climates and/or asphalt operations.
 - Stainless steel or aluminum outer shell keeps the body looking good after many hours of use.
- Nearly vertical side rails and horizontal floor significantly reduces the opportunity for bridging.
- Hydraulically powered tailgate w/ electric controls: 2-way gate (opens 90 deg.) with full-dump capabilities.
- Access ladder, LED lighting system w/ rear safe strobe light.
- Tarp options: electric cable or swing arm system with integrated 12" tarp landing.
- Fenders: steel or aluminum.

FEED CONVEYOR:

Heaviest duty feed belt available combined with a HARDOX TM 400 steel inner layer, makes for the most durable combination in the industry!

- Heavy-duty 34" impact & abrasive resistant belt with 0-degree incline for less wear.
- 32" of FULL EXPOSED moveable floor that is fully speed adjustable and can handle the widest range of materials.
 - More exposed belt means MOR PULLING POWER with less opportunity for bridging.
 - Industry leading horizontal floor increases pulling power and decreases bridging.
 - Asphalt rated (asphalt liner required).
- Forward & reverse control w/ HD 3" pitch RS-3415 chain: 84,000lbs. pulling strength.
 - Chain lubrication system-reduces maintenance & extends life.

DIMENSIONS:

- FB22: Capacity: 22yds. 22.5' long x 6' high x 8.16' wide.
 - FB24: Capacity: 22yds. 24.5' long x 6' high x 8.16' wide.
 - FB27: Capacity: 22yds. 27.5' long x 6' high x 8.16' wide.
- Increase Capacity! All Fat Boy Slingers can add an additional 1' of side rail height for 6-8 yards of additional capacity.*

PLACING CONVEYOR:

- CAS® exclusive HD 16" wide long shot, abrasive and impact-resistant surfaced belt w/ 1/2" cleats.
- The CAS® belt is the heaviest duty and most durable belt on the market with 50% more rubber on the cleats.
- New wider belt means a 20-30% increase in "slinging" volume and greater versatility of materials.
- Hydraulic drive Super-Shield™.
- Round tube steel design.
- High performance rear mounted direct drive.
- Patented worm gear pivot.
- PC specifications:
 - FPM: 4,274-4,466.
 - MPH: 47-50.
 - "Slinging" distance: 120-130'.
 - Volume: 2-4 yds. per minute.
 - Dependent upon material size and type.



HYDRAULIC SYSTEM:

- PTO mounted 5,000 psi rated load-sensing hydraulic piston pump, integrated with a 3,500 psi rated gear pump.
- Sauer Danfoss hydraulic motors.
- Pressure & return filtration system.
 - Pressure filter rating = 10 Microns.
 - Return filter rating = 3 Microns.
- HAWE proportional valves.
- High pressure hoses & fittings- 2,000-6,000 psi.
 - 4:1 design factor and industry rated specifications meeting established industry standards for "burst" pressure.

ELECTRICAL SYSTEM (12 or 24 VDC):

- OMNEX radio & receiver control package.
 - Remote control/wireless placing control function.
 - Frequency Hopping Spread Spectrum (FHSS) technology.
 - 900ft. @ 2.4GHz, Frequency Hopping @ 50 non-overlapping channels in 100kHz intervals (100,000 times per second).

OPTIONAL EQUIPMENT:

- Chassis & Frame-
 - Drive system: remote control/wireless.
- Hopper Body-
 - Greater capacity- 1' additional side rail height available (@ water level 6-8 yards).
 - Tarp: Electrical cable or swing arm system.
 - Liner:HMW or asphalt rated.

CAS® Slingers do the work, so you don't have to!

